

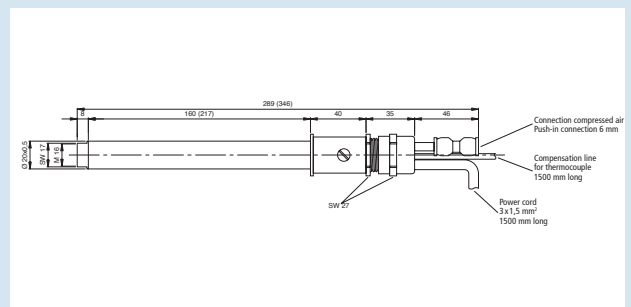
Air heater

Type XS20

from 400 Watt to 2000 Watt



CE



Technical data

XS20

Item No.		5202412	5202414	5202416	5202418	5202420
Voltage	V	1 x 230	1 x 230	1 x 230	1 x 230	1 x 230
Power	W	400	800	1000	1500	2000
Frequency	Hz	50/60	50/60	50/60	50/60	50/60
Max. temperature	°C	650	650	650	650	650
Max. air pressure	Bar	6,0	6,0	6,0	6,0	6,0
Min. air flow	l/min	30	60	75	100	150
Thermocouple	Type "K"	including	including	including	including	including
Air connection	Ø mm	6	6	6	6	6
Air outlet	Ø mm	17	17	17	17	17
Dimensions	mm (length)	289 x 30	289 x 30	289 x 30	346 x 30	346 x 30
Weight	kg	0,420	0,420	0,420	0,460	0,460
Protection class I		⊕				
Marking		CE				

Accessories

Item No.	Description
5202404	Air hose 6/4 PE
5202405	Screw connection for air hose 8/6 with thread 1/8"
5202406	Solid state relay 230 V/12 A, activation 12 VDC
5202407	Cooling element for solid state relays, DIN rail assembly, screwable
5202408	Digital control unit with logic output, 48-24 mm, digital input – analysis selectable

Special features

- Housing made from stainless steel
- Length of the connection cable and thermocouple line 1,5 m
- Air hose available per meter